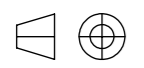
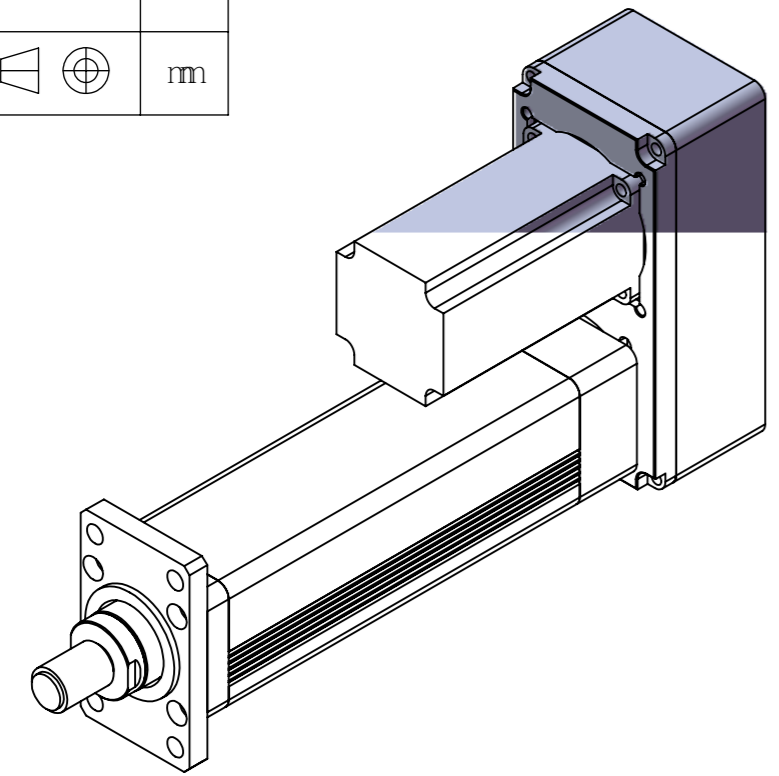


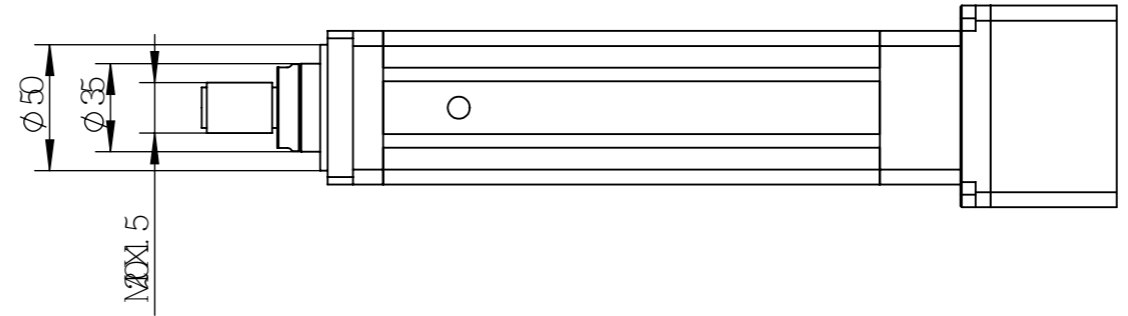
1 2  
 mm

7 8  
 \_\_\_\_\_  
 \_\_\_\_\_  
 \_\_\_\_\_

A

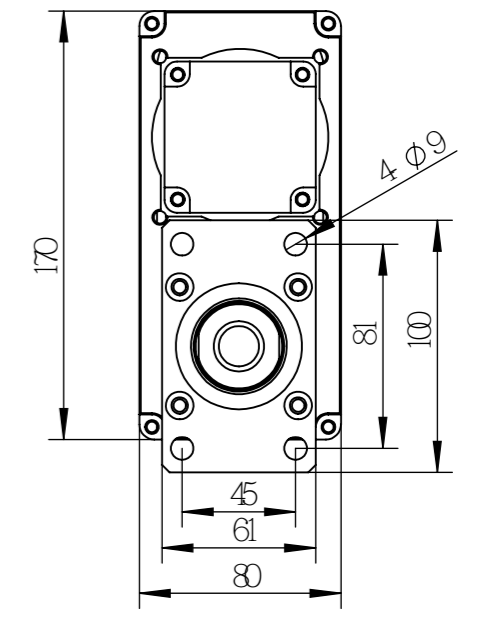
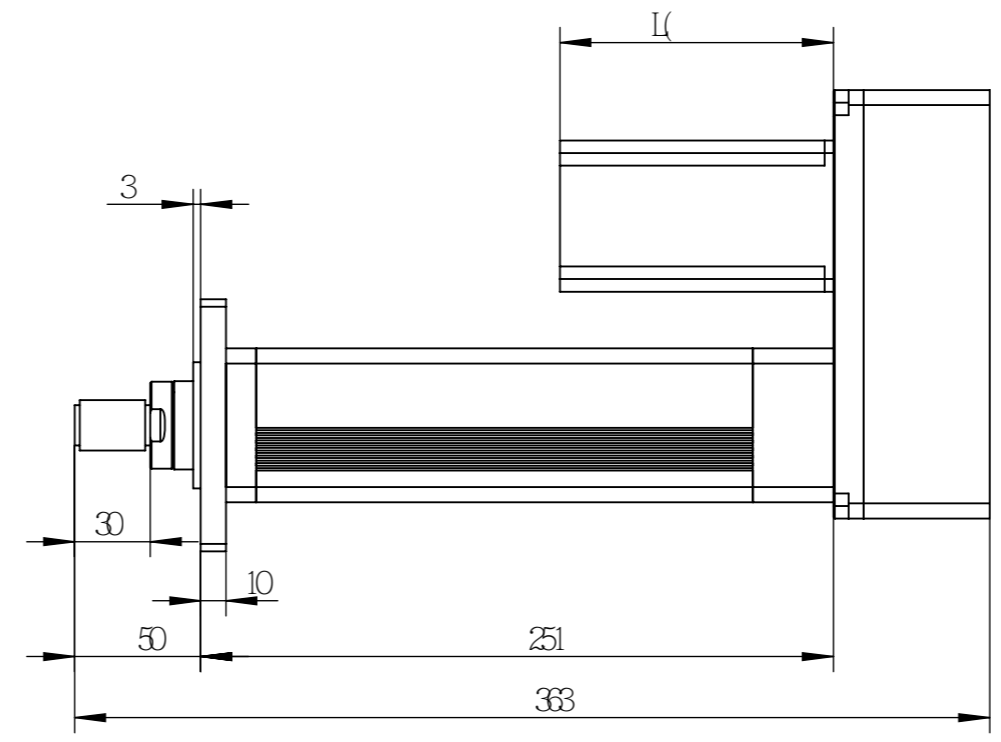


B



C

D



( )

TE

NSK



QIANGDELI

1

2

3

4

5

6

7

8